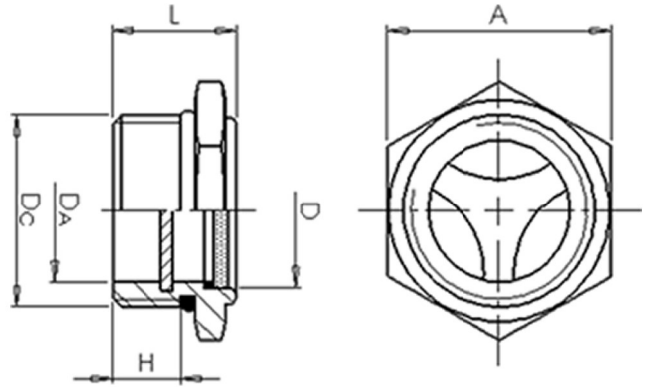


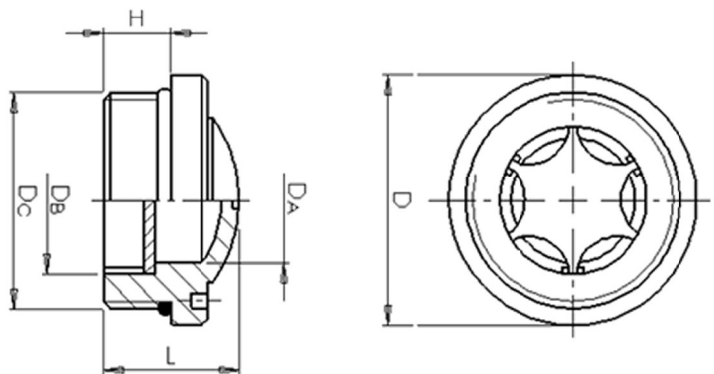
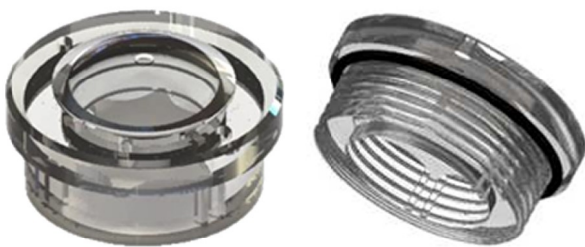
Visor de fluidos

Visor de alumínio



VISOR	A (mm)	L (mm)	Ø D (mm)	Ø DA (mm)	H (mm)	Ø DC (mm)
1/2"	30	12	15	18	11	1/2" BSP 14 - Diam 20,8 mm
3/4"	35	19	21	21	11	3/4" BSP 14 - Diam 26,3 mm
1"	39	21	23	23	12	1" BSP 11 - Diam 33 mm
1.1/8"	44	22	26	23	12	1.1/8" BSP 11 - Diam 37,20 mm

Visor de acrílico



VISOR	Ø D (mm)	Ø DA (mm)	Ø DB (mm)	L (mm)	H (mm)	Ø DC (mm)
1/2"	30	12	15	18	11	1/2" BSP 14 - Diam 20,8 mm
3/4"	35	19	21	21	11	3/4" BSP 14 - Diam 26,3 mm
1"	39	21	23	23	12	1" BSP 11 - Diam 33 mm
1.1/8"	44	22	26	23	12	1.1/8" BSP 11 - Diam 37,20 mm