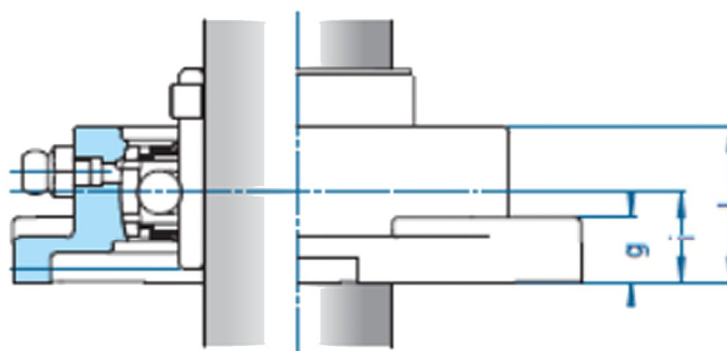
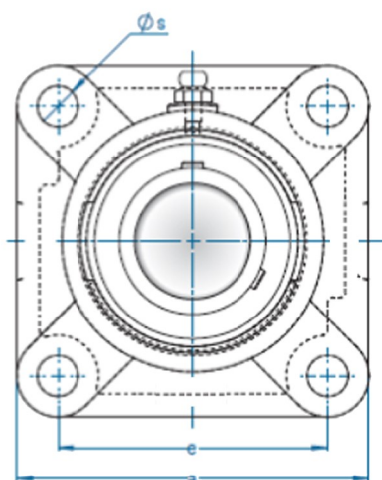


Mancal F



| Modelo | Ø Eixo | | Dimensões mm | | | | | |
|--------|----------|----|--------------|-----|-----|----|----|----|
| | Polegada | mm | a | e | i | g | l | s |
| F-204 | 1/2 | | 86 | 64 | 155 | 11 | 25 | 12 |
| F-204 | 5/8 | | 86 | 64 | 155 | 11 | 25 | 12 |
| F-204 | 3/4 | | 86 | 64 | 155 | 11 | 25 | 12 |
| F-204 | | 20 | 86 | 64 | 155 | 11 | 25 | 12 |
| F-205 | 7/8 | | 95 | 70 | 16 | 13 | 27 | 12 |
| F-205 | 15/16 | | 95 | 70 | 16 | 13 | 27 | 12 |
| F-205 | | 25 | 95 | 70 | 16 | 13 | 27 | 12 |
| F-205 | 1 | | 95 | 70 | 16 | 13 | 27 | 12 |
| F-206 | 1.1/16 | | 108 | 83 | 18 | 13 | 31 | 12 |
| F-206 | 1.1/8 | | 108 | 83 | 18 | 13 | 31 | 12 |
| F-206 | | 30 | 108 | 83 | 18 | 13 | 31 | 12 |
| F-206 | 1.3/16 | | 108 | 83 | 18 | 13 | 31 | 12 |
| F-206 | 1.1/4 | | 108 | 83 | 18 | 13 | 31 | 12 |
| F-207 | 1.1/4 | | 117 | 92 | 19 | 15 | 34 | 15 |
| F-207 | 1.5/16 | | 117 | 92 | 19 | 15 | 34 | 15 |
| F-207 | 1.3/8 | | 117 | 92 | 19 | 15 | 34 | 15 |
| F-207 | | 35 | 117 | 92 | 19 | 15 | 34 | 15 |
| F-207 | 1.7/16 | | 117 | 92 | 19 | 15 | 34 | 15 |
| F-208 | 1.1/2 | | 130 | 102 | 21 | 15 | 36 | 16 |
| F-208 | | 40 | 130 | 102 | 21 | 15 | 36 | 16 |
| F-209 | 1.9/16 | | 137 | 105 | 22 | 16 | 38 | 16 |
| F-209 | 1.5/8 | | 137 | 105 | 22 | 16 | 38 | 16 |
| F-209 | 1.11/16 | | 137 | 105 | 22 | 16 | 38 | 16 |
| F-209 | 1.3/4 | | 137 | 105 | 22 | 16 | 38 | 16 |
| F-209 | | 45 | 137 | 105 | 22 | 16 | 38 | 16 |
| F-210 | 1.13/16 | | 143 | 11 | 22 | 16 | 40 | 16 |
| F-210 | 1.7/8 | | 143 | 11 | 22 | 16 | 40 | 16 |
| F-210 | 1.15/16 | | 143 | 11 | 22 | 16 | 40 | 16 |
| F-210 | | 50 | 143 | 11 | 22 | 16 | 40 | 16 |
| F-210 | 2 | | 143 | 11 | 22 | 16 | 40 | 16 |
| F-211 | 2 | | 162 | 130 | 25 | 18 | 43 | 19 |
| F-211 | 2.1/8 | | 162 | 130 | 25 | 18 | 43 | 19 |
| F-211 | | 55 | 162 | 130 | 25 | 18 | 43 | 19 |
| F-211 | 2.3/16 | | 162 | 130 | 25 | 18 | 43 | 19 |
| F-212 | 2.1/4 | | 175 | 143 | 29 | 18 | 48 | 19 |
| F-212 | | 60 | 175 | 143 | 29 | 18 | 48 | 19 |
| F-212 | 2.3/8 | | 175 | 143 | 29 | 18 | 48 | 19 |
| F-212 | 2.7/16 | | 175 | 143 | 29 | 18 | 48 | 19 |