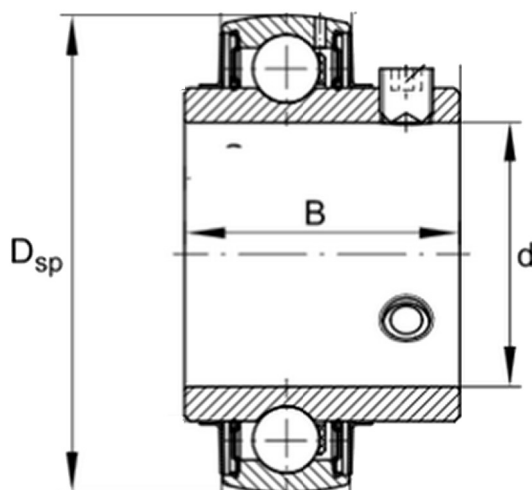


Rolamento Para Mancal - UC



Modelo	d Ø int (mm)	D Ø int pol.	Dsp Ø ext (mm)
UC201	12,00	-	47
UC201-08	12,70	1/2"	47
UC202-09	14,28	9/16"	47
UC202	15,00	-	47
UC202-10	15,87	5/8"	47
UC203	17,00	-	47
UC203-11	17,46	11/16"	47
UC204-12	19,05	3/4"	47
UC204	20,00	-	47
UC205-13	20,63	13/16"	52
UC205-14	22,22	7/8"	52
UC205-15	23,81	15/16"	52
UC205	25,00	-	52
UC205-16	25,40	1"	52
UC206-17	26,98	1.1/16"	62
UC206-18	28,57	1.1/8"	62
UC206	30,00	-	62
UC206-19	30,16	1.3/16"	62
UC206-20	31,75	1.1/4"	62
UC207-20	31,75	1.1/4"	72

Modelo	d Ø int (mm)	D Ø int pol.	Dsp Ø ext (mm)
UC207-21	33,33	1.5/16"	72
UC207-22	34,92	1.3/8"	72
UC207	35,00	-	72
UC207-23	36,51	1.7/16"	72
UC208-24	38,10	1.1/2"	80
UC208-25	39,68	1.9/16"	80
UC208	40,00	-	80
UC209-26	41,27	1.5/8"	85
UC209-27	42,86	1.11/16"	85
UC209-28	44,45	1.3/4"	85
UC209	45,00	-	85
UC210-29	46,03	1.13/16"	90
UC210-30	47,62	1.7/8"	90
UC210-31	49,21	1.15/16"	90
UC210	50,00	-	90
UC210-32	50,80	2"	90
UC211-32	50,80	2"	100
UC211-33	52,38	2.1/16"	100
UC211-34	53,97	2.1/8"	100
UC211	55,00	-	100